

way to adequately cope with these difficulties is to build up a quality management program based on a clear policy. This should be true in any laboratory performing chemical analyses.

Received: September 30, 1996

- [1] G. Zbinden, *Regulatory Toxicol. Pharmacol.* **1991**, *14*, 167.  
 [2] International Standardization Organization, 9000 series, ISO Geneva, 1987.  
 [3] Comité Européen de Normalisation, 45000 series, Joint European Standard Institutions, Brussels, 1987.

- [4] K. Tomokuni, *Arch. Environ. Health* **1974**, *29*, 274.  
 [5] A. Berlin, K. Schaller, *Z. Klin. Chem.-Klin. Biochem.* **1974**, *12*, 389.  
 [6] National Institute of Occupational Safety and Health. Manual of Analytical Methods. Method 7400, Cincinnati, OH, 1987.  
 [7] Environmental Protection Agency Method EPA-600/R-93/116, Report No. 93-218576, Washington, DC, 1993.  
 [8] J.P. Weber, *Therap. Drug Monitoring* **1996**, *18*, 477.  
 [9] E.A. Maier, H. Schimmel, J. Hirschberger, B. Griepink, J. Jacob, CRM 088, BCR Information, Reference Materials, Report EUR 15039 EN, 56 p., 1994.  
 [10] T. Vu Duc, C.K. Huynh, P. Boiteux, *Mikrochim. Acta* **1995**, *120*, 271.  
 [11] P. De Voogt, E.A. Maier, G.N. Kramer, A. Chollot, CRM 524, BCR Information, Reference Materials, Report EUR 16933 EN, 52 p., 1996.  
 [12] EN 482: Workplace atmospheres – General requirements for the performance of procedures for the measurement of chemical agent, CEN, 1994.  
 [13] International Agency for Research on Cancer – World Health Organization. IARC Monographs on the Evaluation of Carcinogenic Risks to Humans, 1989, Vol. 46, p. 1.  
 [14] A. Kettrup, J. Angerer, Analytische Methoden zur Prüfung gesundheitsschädlicher Arbeitsstoffe, Luftanalysen, Dieselmotoremissionen, Meth. Nr. 1. und Meth. Nr. 2, Deutsche Forschungsgemeinschaft, VCH, 1994.

*Chimia* 50 (1996) 615–617  
 © Neue Schweizerische Chemische Gesellschaft  
 ISSN 0009-4293

## High-Pressure Stopped-Flow Study of Inclusion Reactions with $\alpha$ -Cyclodextrin: Dynamic Aspects in Host-Guest Interactions

Pascal Bugnon, Peter G. Lye, Amira Abou-Hamdan, and André E. Merbach\*

**Abstract.** The full volume and entropy profiles of the inclusion reaction between  $\alpha$ -cyclodextrin and the guest molecules, ethylorange (**1**) and mordant yellow 7 (**2**), have been constructed from variable-pressure and -temperature stopped-flow kinetic experiments.

### Introduction

Cyclodextrins are well known as molecular hosts capable of binding a range of guest molecules *via* noncovalent interactions with their hydrophobic cavity. Recently, some progress has been made in the understanding of the complex mechanisms involved in the molecular recognition by  $\alpha$ -cyclodextrin ( $\alpha$ -CD) [1]. The success of high-pressure studies is related to the fact that it is comparatively simple to interpret volume differences in mole-

cular terms even in the case of complex chemical systems, whereas it is often very difficult to interpret entropy differences on a similar level [2].

### Description of the HPSF Apparatus

The third generation of our high-pressure stopped-flow instrument (*Fig. 1*) is able to operate over a temperature range of  $-40$  to  $+100^\circ$  and up to 200 MPa [3]. The system has been designed so that it can perform measurements in absorbance or in fluorescence mode or both. The observation cell has path lengths of 10 and 2 mm for absorbance and fluorescence measurements, respectively. The stopped-flow unit can easily be combined with an optical system of a conventional ambient pres-

Table. Kinetic Parameters for the Inclusion Reaction Between  $\alpha$ -CD and a Selection of Azo Dyes, in Aqueous Solution

Parameters	1	2	3	4
$k_{1,r}^{298}/M^{-1} s^{-1}$	$(1.22 \pm 0.02) 10^4$	$(1.52 \pm 0.03) 10^4$	$2.0 10^4$	$1.2 10^4$
$k_{1,r}^{298}/s^{-1}$	$1.8 \pm 0.1$	$25.4 \pm 0.5$	6.0	9.4
$K_1^{298}/M^{-1}$	$6660 \pm 470$	$600 \pm 20$	3300	1280
$H_{1,r}^{\ddagger}/kJ mol^{-1}$	$+20.1 \pm 1$	$+27.3 \pm 1$	+22.5	–
$H_{1,r}^{\ddagger}/kJ mol^{-1}$	$+54.8 \pm 3$	$+38.6 \pm 1$	+49.8	–
$S_{1,r}^{\ddagger}/J K^{-1} mol^{-1}$	$-99.3 \pm 3$	$-73.3 \pm 4$	-87	–
$S_{1,r}^{\ddagger}/J K^{-1} mol^{-1}$	$-55.9 \pm 8$	$-88.6 \pm 4$	-65	–
$k_{2,r}^{298}/s^{-1}$	$0.20 \pm 0.02$	$1.83 \pm 0.04$	0.87	0.58
$k_{2,r}^{298}/s^{-1}$	$(9.3 \pm 1.2) 10^{-2}$	$0.17 \pm 0.02$	0.55	0.26
$K_2^{298}$	$2.1 \pm 0.5$	$11 \pm 1$	1.6	2.2
$H_{2,r}^{\ddagger}/kJ mol^{-1}$	$+72.0 \pm 3$	$+50.8 \pm 1$	+54.5	–
$H_{2,r}^{\ddagger}/kJ mol^{-1}$	$+43.8 \pm 3$	$+39.5 \pm 5$	+63.3	–
$S_{2,r}^{\ddagger}/J K^{-1} mol^{-1}$	$-16.8 \pm 9$	$-69.4 \pm 4$	-63	–
$S_{2,r}^{\ddagger}/J K^{-1} mol^{-1}$	$-117.7 \pm 11$	$-127.0 \pm 17$	-37	–
References	this work	this work	[1b]	[1b]

1:  $R_3=R_5=H$ ,  $R_4=N(CH_2CH_3)_2$ ; 2:  $R_3=COO^-$ ,  $R_4=OH$ ,  $R_5=CH_3$ ; 3:  $R_3=CH_2CH_2CH_3$ ,  $R_4=OH$ ,  $R_5=H$ ; 4:  $R_3=CH(CH_3)_2$ ,  $R_4=OH$ ,  $R_5=H$ .

\*Correspondence: Prof. A.E. Merbach  
 Institut de chimie minérale et analytique  
 Université de Lausanne  
 Bâtiment de chimie (BCH)  
 CH-1015 Lausanne

way to adequately cope with these difficulties is to build up a quality management program based on a clear policy. This should be true in any laboratory performing chemical analyses.

Received: September 30, 1996

- [1] G. Zbinden, *Regulatory Toxicol. Pharmacol.* **1991**, *14*, 167.  
 [2] International Standardization Organization, 9000 series, ISO Geneva, 1987.  
 [3] Comité Européen de Normalisation, 45000 series, Joint European Standard Institutions, Brussels, 1987.

- [4] K. Tomokuni, *Arch. Environ. Health* **1974**, *29*, 274.  
 [5] A. Berlin, K. Schaller, *Z. Klin. Chem.-Klin. Biochem.* **1974**, *12*, 389.  
 [6] National Institute of Occupational Safety and Health. Manual of Analytical Methods. Method 7400, Cincinnati, OH, 1987.  
 [7] Environmental Protection Agency Method EPA-600/R-93/116, Report No. 93-218576, Washington, DC, 1993.  
 [8] J.P. Weber, *Therap. Drug Monitoring* **1996**, *18*, 477.  
 [9] E.A. Maier, H. Schimmel, J. Hirschberger, B. Griepink, J. Jacob, CRM 088, BCR Information, Reference Materials, Report EUR 15039 EN, 56 p., 1994.  
 [10] T. Vu Duc, C.K. Huynh, P. Boiteux, *Mikrochim. Acta* **1995**, *120*, 271.  
 [11] P. De Voogt, E.A. Maier, G.N. Kramer, A. Chollot, CRM 524, BCR Information, Reference Materials, Report EUR 16933 EN, 52 p., 1996.  
 [12] EN 482: Workplace atmospheres – General requirements for the performance of procedures for the measurement of chemical agent, CEN, 1994.  
 [13] International Agency for Research on Cancer – World Health Organization. IARC Monographs on the Evaluation of Carcinogenic Risks to Humans, 1989, Vol. 46, p. 1.  
 [14] A. Kettrup, J. Angerer, Analytische Methoden zur Prüfung gesundheitsschädlicher Arbeitsstoffe, Luftanalysen, Dieselmotoremissionen, Meth. Nr. 1. und Meth. Nr. 2, Deutsche Forschungsgemeinschaft, VCH, 1994.

*Chimia* 50 (1996) 615–617  
 © Neue Schweizerische Chemische Gesellschaft  
 ISSN 0009-4293

## High-Pressure Stopped-Flow Study of Inclusion Reactions with $\alpha$ -Cyclodextrin: Dynamic Aspects in Host-Guest Interactions

Pascal Bugnon, Peter G. Lye, Amira Abou-Hamdan, and André E. Merbach\*

**Abstract.** The full volume and entropy profiles of the inclusion reaction between  $\alpha$ -cyclodextrin and the guest molecules, ethylorange (**1**) and mordant yellow 7 (**2**), have been constructed from variable-pressure and -temperature stopped-flow kinetic experiments.

### Introduction

Cyclodextrins are well known as molecular hosts capable of binding a range of guest molecules *via* noncovalent interactions with their hydrophobic cavity. Recently, some progress has been made in the understanding of the complex mechanisms involved in the molecular recognition by  $\alpha$ -cyclodextrin ( $\alpha$ -CD) [1]. The success of high-pressure studies is related to the fact that it is comparatively simple to interpret volume differences in mole-

cular terms even in the case of complex chemical systems, whereas it is often very difficult to interpret entropy differences on a similar level [2].

### Description of the HPSF Apparatus

The third generation of our high-pressure stopped-flow instrument (*Fig. 1*) is able to operate over a temperature range of  $-40$  to  $+100^\circ$  and up to 200 MPa [3]. The system has been designed so that it can perform measurements in absorbance or in fluorescence mode or both. The observation cell has path lengths of 10 and 2 mm for absorbance and fluorescence measurements, respectively. The stopped-flow unit can easily be combined with an optical system of a conventional ambient pres-

Table. Kinetic Parameters for the Inclusion Reaction Between  $\alpha$ -CD and a Selection of Azo Dyes, in Aqueous Solution

Parameters	1	2	3	4
$k_{1,r}^{298}/M^{-1} s^{-1}$	$(1.22 \pm 0.02) 10^4$	$(1.52 \pm 0.03) 10^4$	$2.0 10^4$	$1.2 10^4$
$k_{1,r}^{298}/s^{-1}$	$1.8 \pm 0.1$	$25.4 \pm 0.5$	6.0	9.4
$K_1^{298}/M^{-1}$	$6660 \pm 470$	$600 \pm 20$	3300	1280
$H_{1,r}^{\ddagger}/kJ mol^{-1}$	$+20.1 \pm 1$	$+27.3 \pm 1$	+22.5	–
$H_{1,r}^{\ddagger}/kJ mol^{-1}$	$+54.8 \pm 3$	$+38.6 \pm 1$	+49.8	–
$S_{1,r}^{\ddagger}/J K^{-1} mol^{-1}$	$-99.3 \pm 3$	$-73.3 \pm 4$	-87	–
$S_{1,r}^{\ddagger}/J K^{-1} mol^{-1}$	$-55.9 \pm 8$	$-88.6 \pm 4$	-65	–
$k_{2,r}^{298}/s^{-1}$	$0.20 \pm 0.02$	$1.83 \pm 0.04$	0.87	0.58
$k_{2,r}^{298}/s^{-1}$	$(9.3 \pm 1.2) 10^{-2}$	$0.17 \pm 0.02$	0.55	0.26
$K_2^{298}$	$2.1 \pm 0.5$	$11 \pm 1$	1.6	2.2
$H_{2,r}^{\ddagger}/kJ mol^{-1}$	$+72.0 \pm 3$	$+50.8 \pm 1$	+54.5	–
$H_{2,r}^{\ddagger}/kJ mol^{-1}$	$+43.8 \pm 3$	$+39.5 \pm 5$	+63.3	–
$S_{2,r}^{\ddagger}/J K^{-1} mol^{-1}$	$-16.8 \pm 9$	$-69.4 \pm 4$	-63	–
$S_{2,r}^{\ddagger}/J K^{-1} mol^{-1}$	$-117.7 \pm 11$	$-127.0 \pm 17$	-37	–
References	this work	this work	[1b]	[1b]

1:  $R_3=R_5=H$ ,  $R_4=N(CH_2CH_3)_2$ ; 2:  $R_3=COO^-$ ,  $R_4=OH$ ,  $R_5=CH_3$ ; 3:  $R_3=CH_2CH_2CH_3$ ,  $R_4=OH$ ,  $R_5=H$ ; 4:  $R_3=CH(CH_3)_2$ ,  $R_4=OH$ ,  $R_5=H$ .

\*Correspondence: Prof. A.E. Merbach  
 Institut de chimie minérale et analytique  
 Université de Lausanne  
 Bâtiment de chimie (BCH)  
 CH-1015 Lausanne

sure set-up using inexpensive light guides. Optimum optical performance and a wide operating wavelength range (220–850 nm) are achieved as the light is not passing through the pressurizing fluid. The dead time of the system is found to be less than 2 ms at 298 K, and is pressure-independent up to 200 MPa.

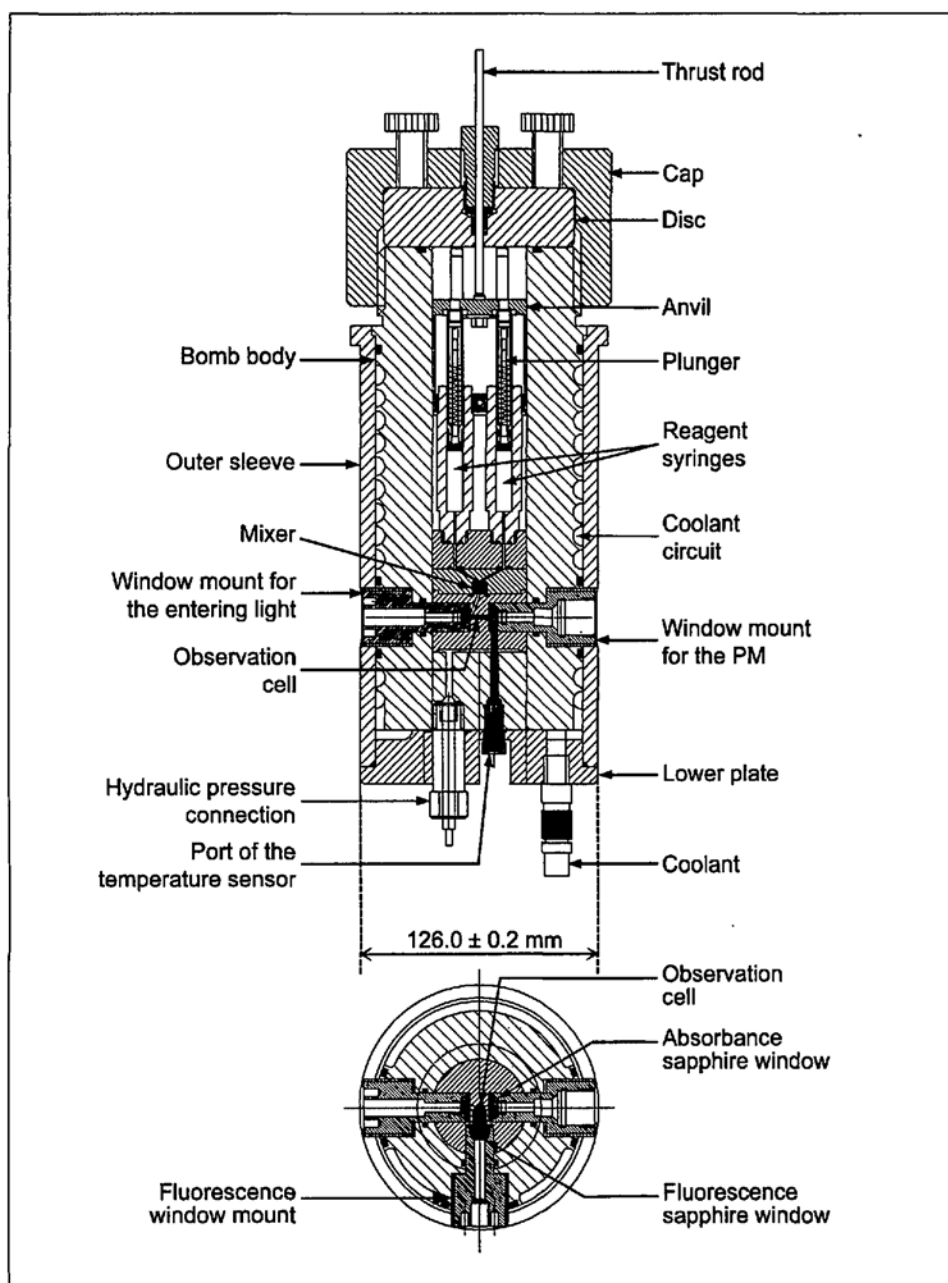
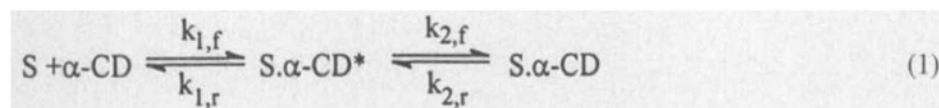
### Inclusion Kinetics with $\alpha$ -Cyclodextrin in Aqueous Solution

The kinetics for the inclusion reaction between the dyes, S, and  $\alpha$ -CD (Reaction 1) were investigated as a function of the  $\alpha$ -CD concentration, ( $C_{\alpha\text{-CD}}$ ), under pseudo-

first-order conditions, and at pH of ca. 6.5. The protonation constants determined from spectrophotometric titrations, at 298 K, //  $M = 0.15$  (NaCl) for **1** (**2**) are:  $pK_{a1}$   $4.11 \pm 0.01$  ( $pK_{a1}$   $2.46 \pm 0.02$ ,  $pK_{a2}$   $11.88 \pm 0.01$ ). For both dyes, two distinct rate constants were observed (Reaction 1). The very fast  $k_{1,\text{obs}}$  and the slower  $k_{2,\text{obs}}$ , can be expressed by Eqns. 2 and 3, where  $K_1 = k_{1,f} / k_{1,r}$ .

$$k_{1,\text{obs}}(\text{fast}) = k_{1,f} \cdot C_{\alpha\text{-CD}} + k_{1,r} \quad (2)$$

$$k_{2,\text{obs}}(\text{slow}) = k_{2,f} \frac{K_1 \cdot C_{\alpha\text{-CD}}}{(1 + K_1 \cdot C_{\alpha\text{-CD}})} + k_{2,r} \quad (3)$$



Temperature-dependent multiwavelength kinetic measurements were carried out between 278 and 318 K on a commercial stopped-flow spectrometer. Pressure-dependent kinetic measurements were carried out on our HPSF spectrometer [3], between 230 and 600 nm using a diode array detector for **2** [4], and with a monowavelength detection system for **1**. For

both the temperature and pressure multiwavelength experiments, the observed rate constants were calculated from the multiwavelength data sets via Global Analysis software. Then the data were fitted globally according to Eqns. 2 and 3; the results are listed in the Table and Fig. 2.

### Discussion

The inclusion of the guest molecules, **1** and **2**, into the  $\alpha$ -CD cavity proceeds via the hydrophilic sulfonate moiety exclusively (Scheme), as previously referred [1][4].

The first step in the inclusion reaction of **1** and **2** may be seen to require the desolvation of the sulfonate group when the guest is initially included in the  $\alpha$ -CD cavity. At the first transition state, strong interactions can exist between the sulfonate group and the two not fully coordinated 'activated'  $\text{H}_2\text{O}$  molecules which are included in the cavity [5]. This interaction should be the principal contribution to the significant contraction at the transition state, as shown by the large negative values of  $V_{1,f}^\ddagger$  (Fig. 2). In the intermediate state, the sulfonate group is resolvated from the bulk water, as it was initially, resulting in a slowing of the reverse step and also hindering further access to the cavity. The two 'activated'  $\text{H}_2\text{O}$  molecules have left the cavity, thus enabling full H-bonding with the  $\text{H}_2\text{O}$  molecules from the bulk. This explains the relatively small negative volume of reaction  $\Delta V_1^\circ$  for both **1** and **2**.

Fig. 1. Schematic vertical and horizontal sections of the high-pressure stopped-flow autoclave

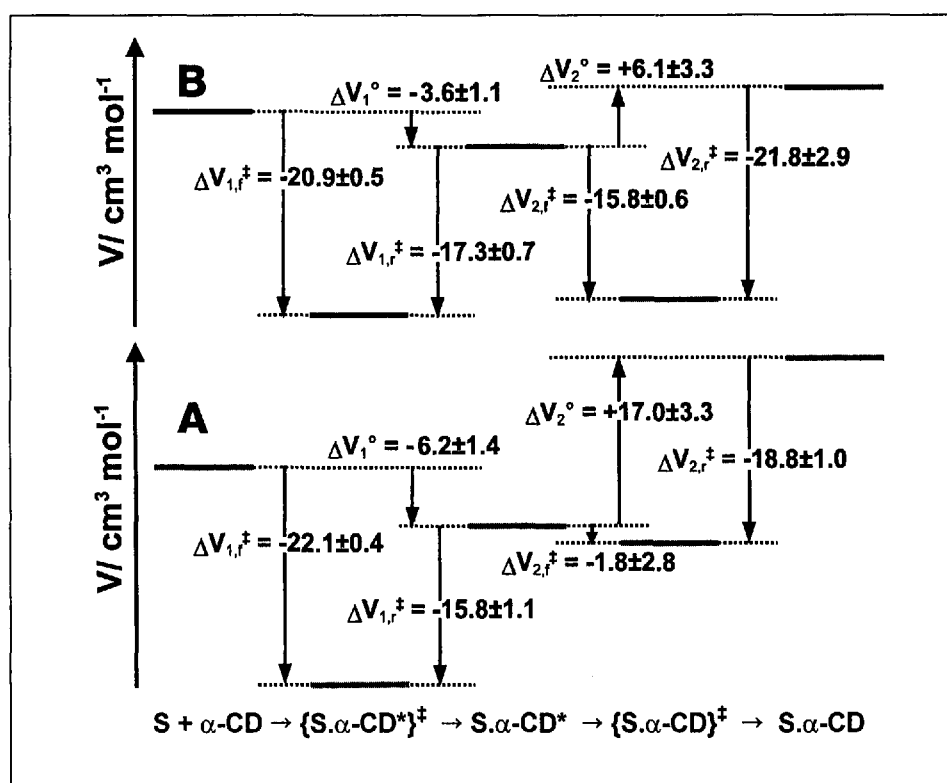
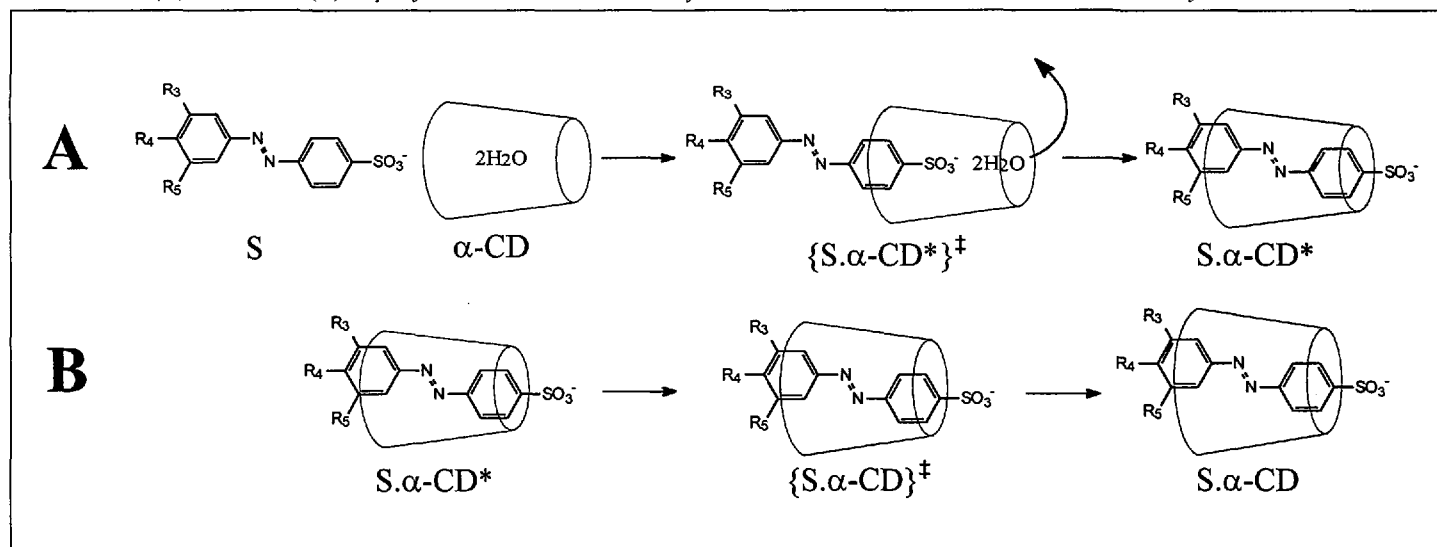


Fig. 2. Volume reaction profiles for the inclusion formation and dissociation reactions between 1(A) and 2(B) with  $\alpha\text{-CD}$ , in aqueous solution

Scheme. First (A) and Second (B) Steps of the Postulated Mechanism for the Inclusion Reaction between  $\alpha\text{-CD}$  and the Dyes



The second step is assumed to be a subsequent intramolecular rearrangement of the intermediate complex. This slow process is anticipated owing to the intramolecular motion in the small  $\alpha\text{-CD}$  unit. The very negative  $\Delta V_{2,r}^\ddagger$  value for **2** may be explained by the formation of H-bonds between the OH and carboxylate groups of the dye and  $\alpha\text{-CD}$ . Such bonding is not possible with **1**, resulting in a very small  $\Delta V_{2,r}^\ddagger$ . The postulated stronger interaction for **2** is also represented by a higher value of  $K_2$  compared to **1**. It has been suggested that an 'empty'  $\alpha\text{-CD}$  in  $\text{H}_2\text{O}$  exists in a distorted conformation, which arises as a result of the rotation of

one or more D-glucose rings around glycoside linkages [5]. For better overlap between  $\alpha\text{-CD}$  and the dye, this distorted conformation is relieved to have a relaxed conformation of the  $\alpha\text{-CD}$  in the final product.

The Swiss National Science Foundation (grant 2000-045419.95/1) is greatly thanked for financial support.

Received: September 30, 1996

[1] a) A. Hersey, B.H. Robinson, *J. Chem. Soc., Faraday Trans. 1* **1984**, 80, 2039; b) A. Seiyama, N. Yoshida, M. Fujimoto, *Chem.*

*Lett.* **1985**, 1013; c) N. Yoshida, *J. Chem. Soc., Perkin Trans. 2* **1995**, 2249; d) J. Szejtli, *Supramol. Chem.* **1995**, 6, 217.  
 [2] S.F. Lincoln, A.E. Merbach, *Adv. Inorg. Chem.* **1995**, 42, 1.  
 [3] P. Bugnon, G. Laurency, Y. Ducommun, P.-Y. Sauvageat, A.E. Merbach, R. Ith, R. Tschanz, R. Bergbauer, E. Grell, *Anal. Chem.* **1996**, 68, 3045.  
 [4] P. Bugnon, P.G. Lye, A. Abou-Hamdan, A.E. Merbach, *Chem. Commun.*, in press.  
 [5] W. Saenger, M. Noltemeyer, P.C. Manor, B. Hingerty, B. Klar, *Bioorg. Chem.* **1976**, 5, 187.